



DESIGN STATEMENT

Bus shelters in Moreland consist of Council-owned shelters and privately owned shelters with advertisement (maintained by JCDecaux and Adshell). This Technote refers to the Council-owned bus shelters, which are generally located outside Activity Centres area.

The design of the shelters is easy to maintain and economical. When bus shelter cannot be provided, a bus seat may be provided as an alternative.

APPLICABLE LOCATION

As specified by Council Transport Unit. Final positioning of the bus shelter and seat should be confirmed with Council to ensure safety and accessibility is provided.

COUNCIL STANDARD DRAWING

N/A

CROSS REFERENCE DOCUMENT

- AS1428.1-1998 (Australian Specification and Standard design for access and mobility), AS1554 (Structural steel welding Set), AS 1252 (High-strength steel bolts), and AS4100 (Steel structures)

STANDARD SPECIFICATION

Bus shelter size (length, width and height): *Large shelter*: 2485mm x 1905mm x 3065mm or *Narrow shelter*: 2485mm x 1549mm x 2845mm.

Bus Shelter - Type: Bus Shelter UDG 1001 from Urban Design Group.

Bus Seat - Type: UDG from Urban Design Group. For Activity Centre and Shopping Strips, refer to Standard Seat Technote.

SUPPLIER

Urban Design Group www.urbandesigngroup.com.au or similar supplier.

MAINTENANCE

Council is responsible for the maintenance of the shelters except for the privately owned shelter.

Road Maintenance Unit/ Council Sustainable Transport:

Replace damaged parts.

Street cleansing unit: Bus shelters (only Council-owned shelters) should be cleaned as per current schedule.

GENERAL NOTES

- Refer to manufacturer's installation manual

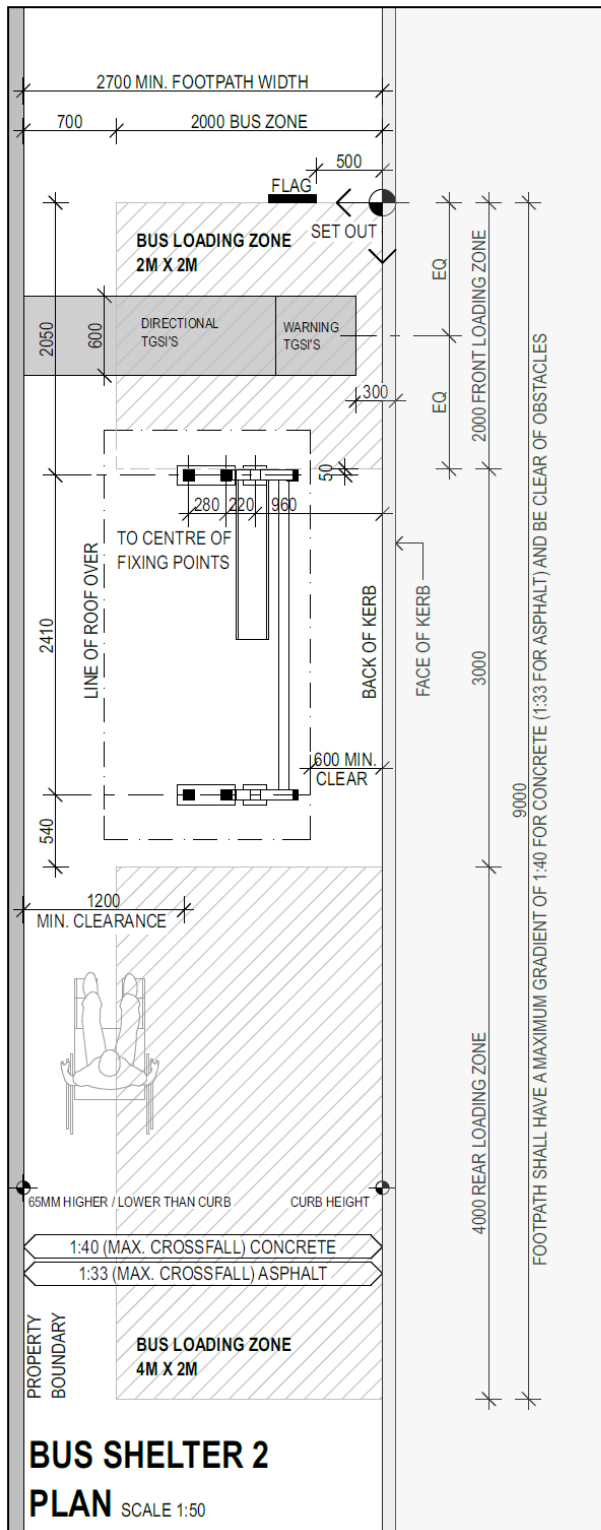
May 2020



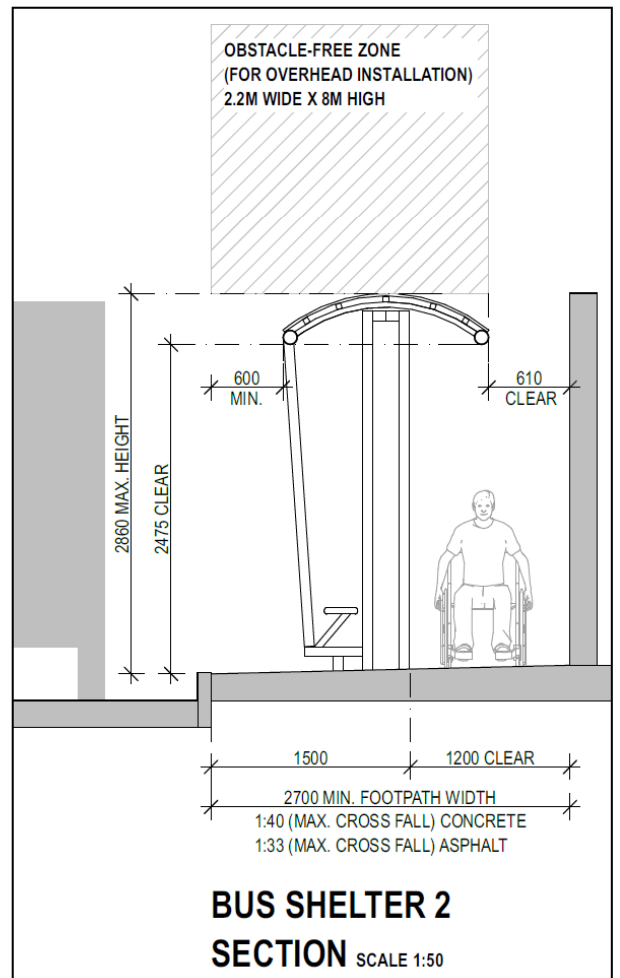
Moreland City Council

B200.03 Bus Shelter

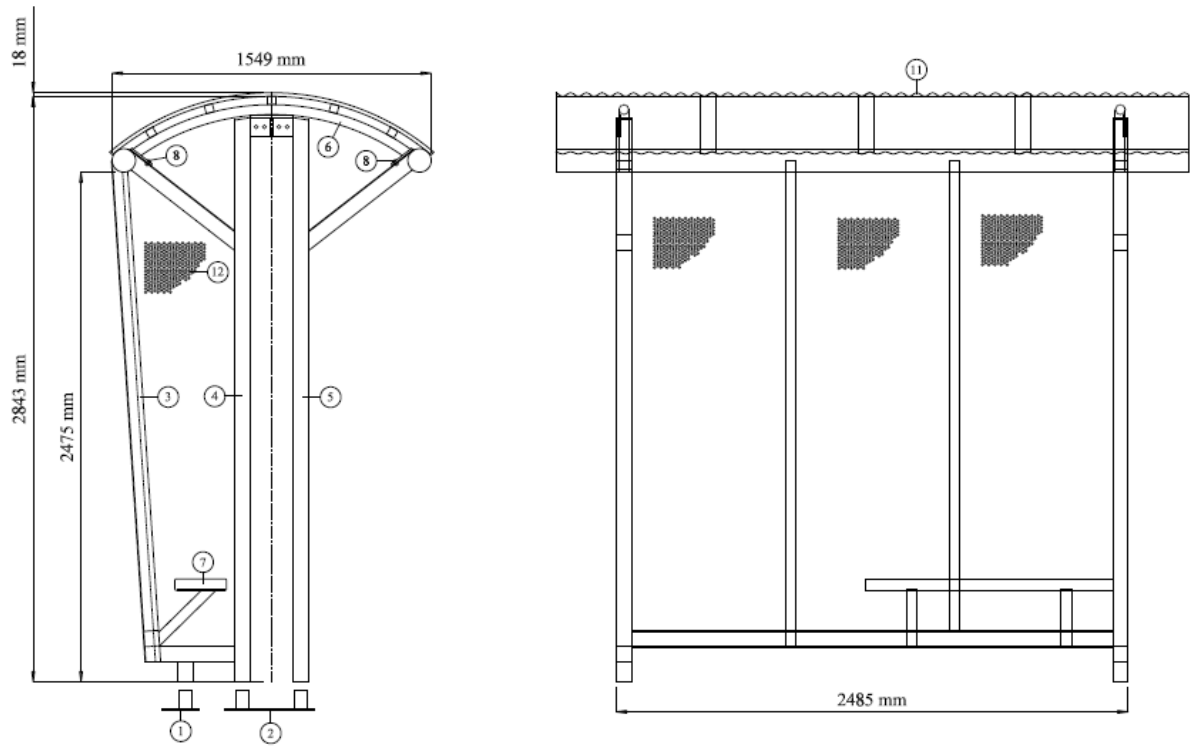
BUS SHELTER - OPTION 2



- NOTES**
- BEARING CAPACITY OF EXISTING FOUNDATIONS / FOOTPATH ASSESSED AND TO THE SATISFACTION OF THE MANUFACTURER
 - T.G.S.'S TO BE INSTALLED AS PER AS1428.1 IN FRONT LOADING ZONE
 - MINIMUM 8.0M CLEARANCE "OBSTACLE-FREE ZONE" ABOVE SHELTER WHEN INSTALLING SHELTER USING LIFT CRANE (EG. HV POWERLINES, TREE BRANCHES, BUILDINGS ETC.)
 - MAXIMUM CROSSFALLS & GRADIENTS (1:40 CONCRETE, 1:33 ASPHALT) TO ALL BUS STOPS AND FOOTPATHS AS PER ACCESSIBILITY (DDA) GUIDELINES AND AS1428.1
 - DRAINAGE REQUIREMENTS TO BE ASSESSED AND DESIGNED ON A CASE-BY-CASE BASIS



B200.03 Bus Shelter



Copyright: Urban Design Group